

# MAKE A TUBE CAMERA OBSCURA

## You Will Need:

Templates - printed onto light card (approx 220gsm)

Forming Tube - around 70mm diameter

Plastic Lens

Tracing Paper

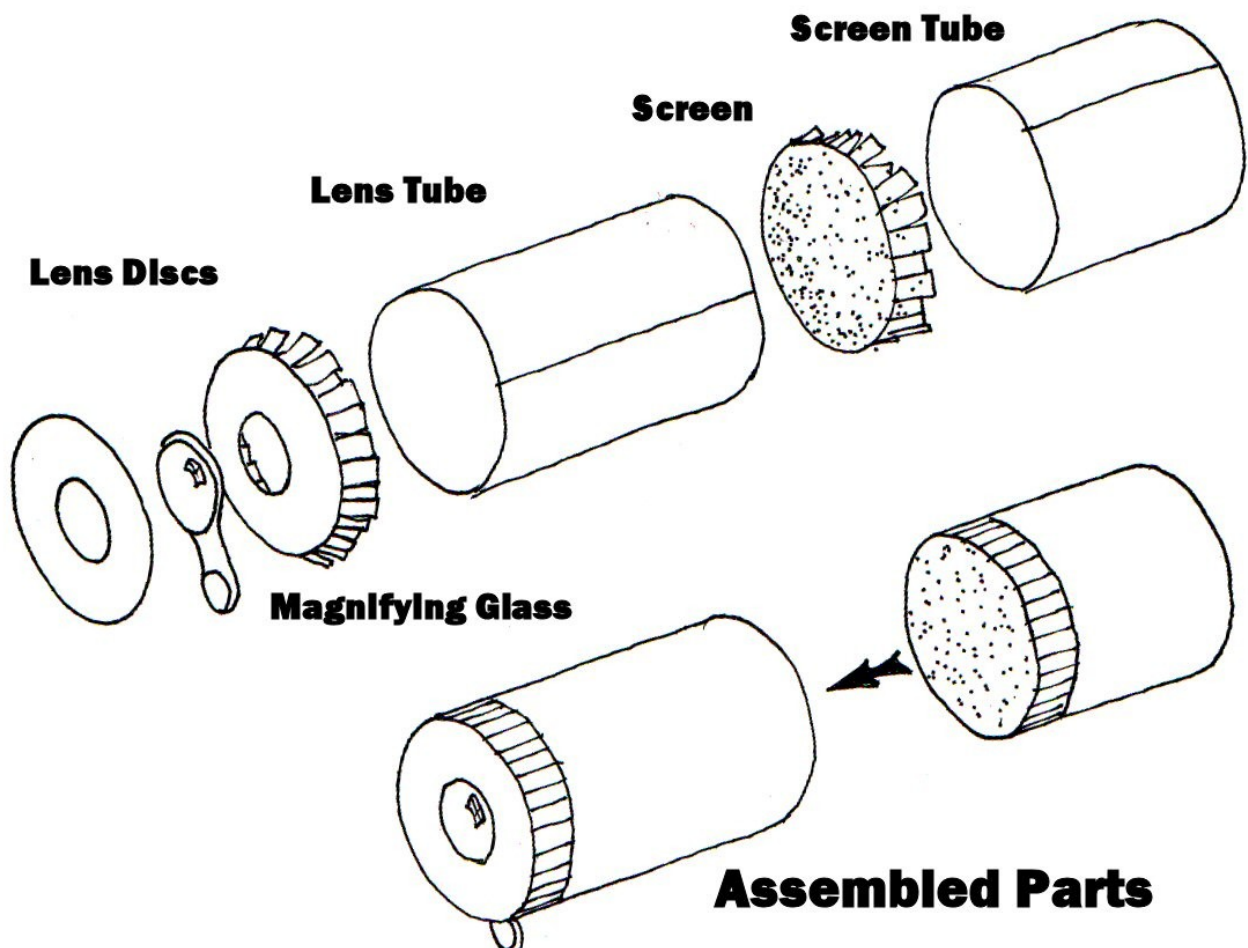
Sticky Tape

Scissors

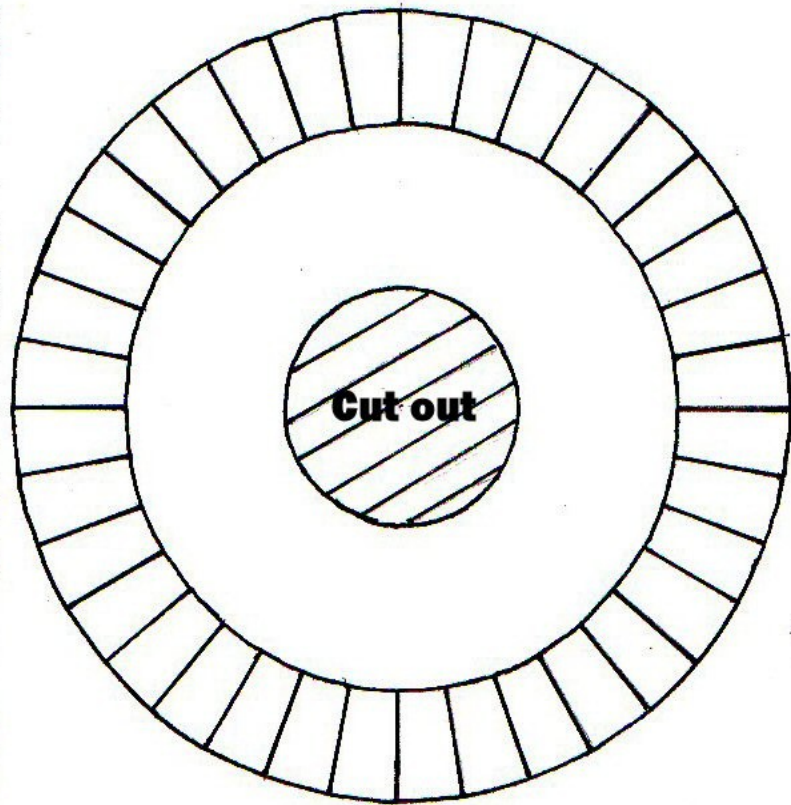
Stapler

## Instructions

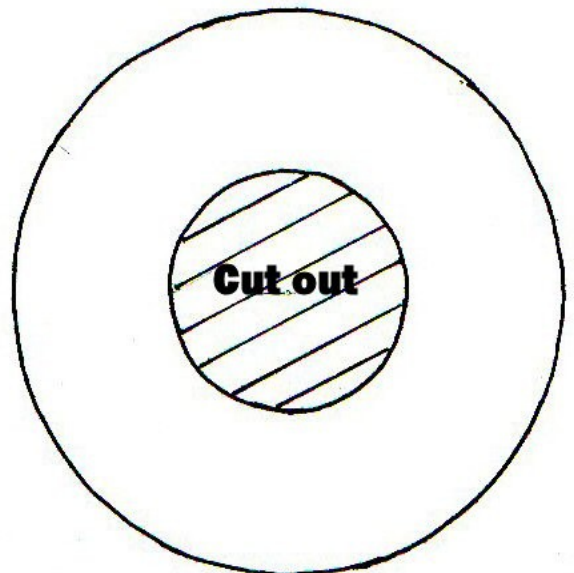
1. Roll Screen card around Forming Tube and tape up.
2. Trace the outer part of top Lens Disc onto the tracing paper and cut out.
3. Fix Tracing paper screen over one end of screen tube with tape.
4. Roll lens tube around screen tube and tape.
5. Cut out Lens Discs
6. Sandwich lens between discs and staple together.
7. Fix assembled Lens Holder over the end of the lens tube.
8. Look at screen through tube, slide the Screen Tube in and out of Lens Tube to focus the image.



# Screen Tube



**Lens Discs**



# Lens Tube

TUBE CAMERA OBSCURA



TUBE CAMERA OBSCURA